



SELECTRIC® 7800 Series

## SELECTRIC® PRO - SDC Electrified Mortise Locksets SELECTRIC® MOD - Major Brand Mechanical Lock Electrification

### Applications

SELECTRIC® Electrified Mortise Locksets are designed for the access control of openings in commercial, industrial and institutional facilities where code compliance, dependable operation and resistance to physical abuse is required, including:

- High-Rise Offices
- Government Centers
- Hospitals
- Airports
- Universities
- Factories
- Museums

### Building and Fire Life Safety Code Compliance

SELECTRIC® locksets ensure that the door stays latched even when unlocked, maintaining fire door integrity. SELECTRIC™ locksets comply with all national building and fire life safety code requirements for use on fire rated doors, including high rise stairwell and elevator lobby doors where the use of electric strikes and magnetic locks is prohibited.

### Security with Superior Aesthetics

Available in field selectable failsafe and failsecure modes, functions and operating voltages, SELECTRIC® electrified locksets provide a superior appearance compared to exposed and vulnerable electric strikes and magnetic locks, while eliminating the need for request-to-exit devices.

### Features

- Building and Fire Life Safety Code Compliance
- True full monitoring and REX capability
- Vandal resistance
- Lock brand choice and retrofit
- Field operation flexibility
- Reduced stocking requirements
- Increased function availability

### Specifications

ANSI A156.25 Electrified Locks  
ANSI A156.13 Grade 1  
ANSI A117.1 Accessibility Code  
California State Reference Code



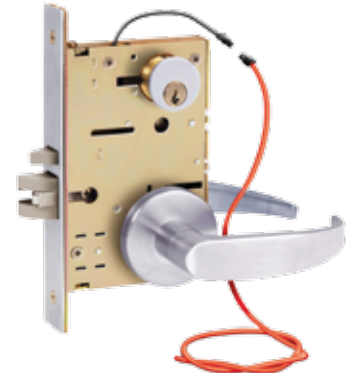
ME A  
City of New York  
678-80-SA



Electrically Operated Single Point Locks  
& Latches, 3hr 'A' Label Fire Doors

### SELECTRIC® PRO

- SDC fully featured lockset with complete application flexibility for new construction or retrofit of major brand mechanical locks
- New or retrofit application, replaces most mechanical locks
- Field selectable mode
- Field selectable function
- Field selectable voltage
- Field selectable handing
- Order with SDC trim or less trim. Compatible with Schlage trim provided by others.
- Key latch retraction



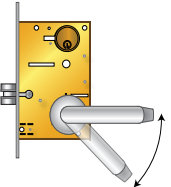
### Full Monitoring Capability (optional)

- Request-to-Exit, SPDT
- Door Position Status, SPDT
- Latched & Locked Status, SPDT

Patents Pending

### Vandal Resistant Lever Handles Standard With SDC Brand Lockset

When locked, the built-in clutch permits the handles to operate without retracting the latch, reducing potential for damage.



### SELECTRIC® MOD

Schlage • Corbin Russwin • Best  
Yale • Sargent • Dorma • Marks  
Cal Royal • Arrow • Falcon • PDQ

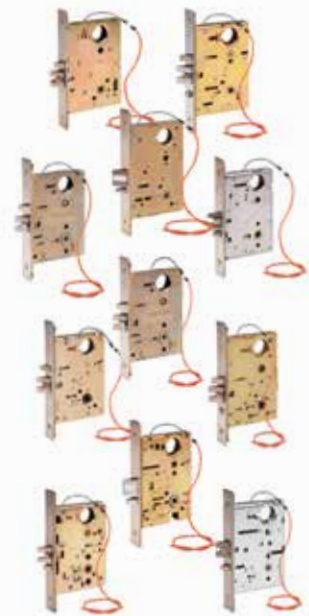
- For new construction or replacement of major brand mechanical locksets, your distributor simply sends the new mechanical locks to SDC for UL Listed electrification
- Field selectable mode
- Field selectable voltage
- Field selectable handing and functions based on individual lock brand capabilities
- Key latch retraction

### Full Monitoring Capability (optional)

Available with select brands

- Request-to-Exit, SPDT
- Door Position Status, SPDT
- Latched & Locked Status, SPDT

Patent # 7614669



SECURITY DOOR CONTROLS

sdsecurity.com  
service@sdsecurity.com



Price & Installation

## Ordering Information

### Source & Brand

--	--	--	--	--	--

Source codes indicate the origin, brand and model of the mechanical lockset.

### SDC Brand Locksets Complete with SDC Lever Trim

Available through SDC's shipQUICK program for shipment by the next business day. Consult your factory for applications where Schlage lever trim may be supplied by others, (POA). See standard features on page 1.

Z SDC 7800

### Major Brand Electrified Lock Chassis, Less Trim, Provided by SDC Factory

See standard features on page 1.

ZS Schlage	ZN Arrow
ZA Falcon	ZP Yale
ZD Sargent	ZT Best
ZI Corbin Russwin	

### Mortise Locks Supplied by Distributor

Distributors supply SDC with the mortise lock body and armored front (less trim) for modification. SDC returns the modified lock body with an electric actuator. Upon installation, two lever return spring cages (supplied by distributor) are required for proper operation.

See standard features on page 1.

A Falcon LM561/MA581	S Schlage L9080
D Sargent 8204	T Best 35HEW/45
H Hager 3880	U Dorma M9000
I Corbin/Russwin ML2055	V Marks 5EW
N Arrow B12	W Cal Royal M8080
P Yale 8805	X PDQ MR148

\*Note: 2 locking hubs required for 7830/7832

### Function and Electrical Mode

--	--	--	--	--	--

**7830** Locked both sides, failsafe. Field reversible to failsecure mode.  
**7850** Locked outside only, failsafe. Field reversible to failsecure mode.  
**7832** Locked both sides, failsecure. Field reversible to failsafe mode.  
**7852** Locked outside only, failsecure. Field reversible to failsafe mode.  
**Z7835** Locked outside and/or inside. Outside failsecure, inside failsafe (7835 function available with "Z" SDC brand lockset only)

### Voltage - Z7835 Only

--	--	--	--	--	--

Specify voltage for Z7835 function only. Leave blank for all other functions which are 12/24VDC, field selectable

**12** 12VDC  
**24** 24VDC

### Specify Hand

--	--	--	--	--	--

L Left hand	LR Left hand reverse	All hands are field reversible without disassembly
R Right hand	RR Right hand reverse	

SDC is not a licensee of, or affiliated or connected with ASSA/Abloy, Yale Security, Corbin-Russwin, Sargent Manufacturing Company, Ingersoll-Rand, Schlage Lock Company, Best Lock Company, PDQ, Cal Royal, Marks USA, Dorma, Arrow Lock company, Falcon Lock Company, or any of their subsidiaries or affiliates.

### Finish

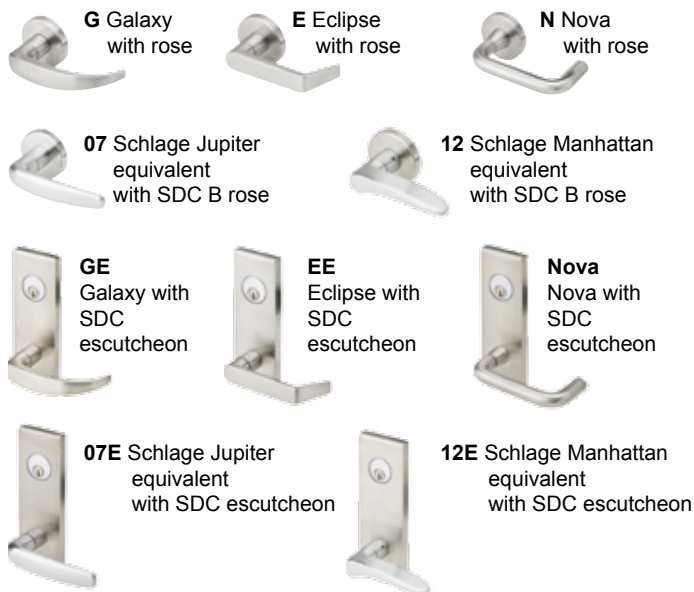
--	--	--	--	--	--

<b>Q</b> 626 Dull Chrome (standard)	<b>H</b> 613 Oil Rubbed Bronze
<b>C</b> 605 Bright Brass	<b>P</b> 625 Bright Chrome
<b>D</b> 606 Dull Brass	<b>S</b> 629 Bright Stainless Steel
<b>F</b> 611 Bright Bronze	<b>U</b> 630 Dull Stainless Steel
<b>G</b> 612 Dull Bronze	

### Lever Trim

--	--	--	--	--	--

Specify with source Z SDC brand locksets only



### Options

#### Optional Outputs

**R** Request-to-exit. Indicates inside lever operation for access control request-to-exit input, alarm shunt, remote annunciation or CCTV activation, SPDT 5 Amp @ 30VDC  
*Available with locks A, D, I, N, P, S, T, U, S, V and Z only*

**D** Door position status output. Indicates door open and door closed. SPDT 5 Amp @ 30VDC.  
*Available with locks Z and S only*

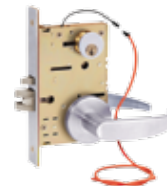
**S** Latched & locked status output. Indicates door latched and locked and door unlocked. SPDT 5 Amp @ 30VDC  
*Available with locks Z and S only*

Consult factory for recent updates of option availability with any model

#### Optional Cable and Connectors

**CC1-5** 5ft. Cable & connectors for locks without optional outputs

**CC3-5** 5ft. Cable & connectors for locks with optional outputs



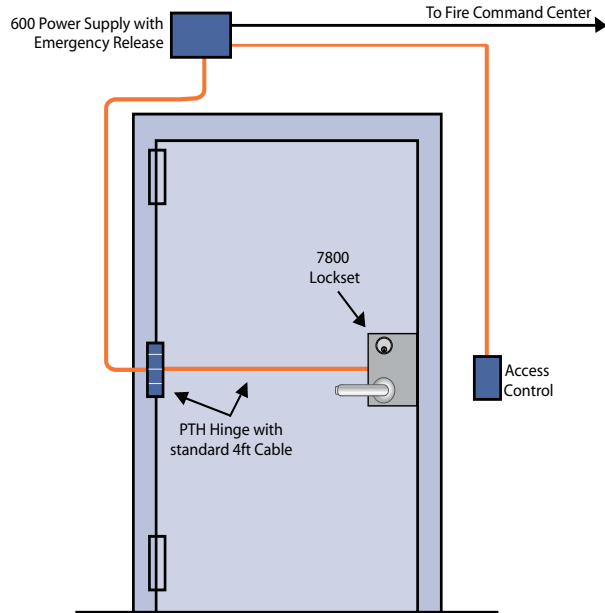
#### Optional Key Cylinders

1 required for 7850/7852 2 required for 7830/7832

**CYL-6KDDQ** 6 pin, 1-1/8" keyed different, 626 Dull Chrome

**CYL-6KAAQ** 6 pin, 1-1/8" keyed alike, 626 Dull Chrome





### PTH Power Transfer Hinge

#### Features

- UL10B Listed for 3 Hr Fire Doors. If the hinge you are presently using does not bear the F mark, it is not listed for use with fire doors.
- 500,000 cycles. 5 times UL test criteria
- Wire Replacement Warranty
- 5ft wire cable

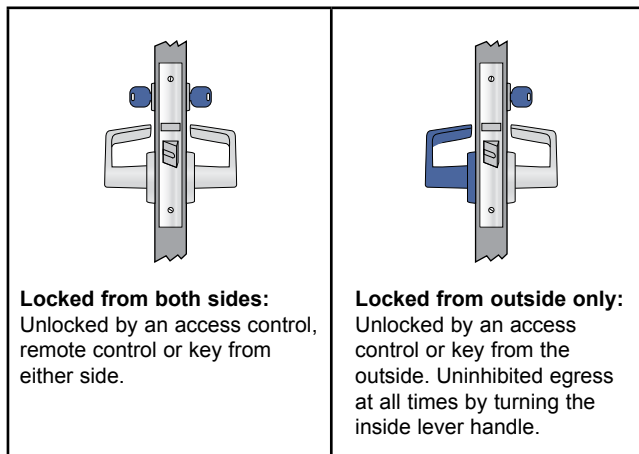
#### Application

Installed in the center hinge position of the door, PTH Power Transfer Hinges provide the concealed wires required between the door and the frame, for the purpose of powering and monitoring electric door hardware.

#### Uses Include

- Electric Lock Power and Control
- Door and Lock Status Signaling
- Request-to-Exit Signaling

### SDC Z7800 Field Selectable Function



### Specifications

**Dual Voltage:** 600/300 mA @ 12/24VDC  
**Mode:** Field Reversible, Failsafe/Failsecure  
**Door Thickness:** 1-3/4" standard  
**Door Preparation:** ANSI A156.13  
**Latch Bolt:** 3/4" anti-friction bolt with auxiliary deadlatch  
**Backset:** 2-3/4"  
**Strike:** 4-7/8" (standard)  
**Key Override:** 6 PIN, 1-1/4" Mortise cylinder with Schlage 'C' keyway (optional)

### Ordering Information

#### Model

- PTH-4** Four conductor hinge, 1 Amp @ 12/24V per pair, 4-1/2" x 4-1/2" five knuckle standard weight
- PTH-10** Ten conductor hinge, 1 Amp @ 12/24V per pair, 4-1/2" x 4-1/2" standard weight

Consult factory for 3 knuckle, or special sizes

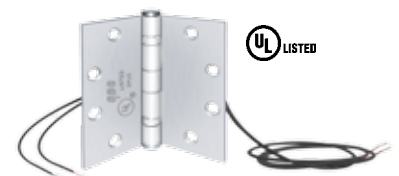
#### Finish

- All base material steel
- Q** 626 Dull Chrome (standard)    **H** 613 Oil Rubbed Bronze  
**C** 605 Bright Brass    **P** 625 Bright Chrome

#### Options

#### PTH hinge with door position switch

- DPS** Concealed Door Position Switch  
 SPDT, 250mA @ 30VDC



**Concealed Electric Power Transfer**

**PTM Heavy Duty Series  
Electric Power Transfer Device**

SDC's heavy duty Electric Power Transfer Device provides a concealed and secure means of transferring electric lock and exit device power and signal wires from the frame to the door. Completely concealed when the door is closed the PTM Electric Power Transfer Device is ideal for heavy traffic and applications requiring higher security to inhibit tampering and abuse.



2 Conductor: Two (2) 18 Ga. wires, 5 Amp @ 12/24 V AC/DC

- PTM-2AL** Aluminum Powder Coat, US28 equivalent
- PTM-2BZ** Dark Brown Powder Coat, US10B equivalent

10 Conductor: Ten (10) 24 Ga. wires, 1 Amp @ 12/24V AC/DC

- PTM-10AL** Aluminum Powder Coat, US28 equivalent
- PTM-10BZ** Dark Brown Powder Coat, US10B equivalent

**Fire Rated Concealed Mortise Power Transfer**

**PT-5 Concealed Mortise Mount Power Transfer Loop**  
Frame mortised steel dust box with flexible steel loop and chrome finish. Recommended for use with hollow metal frames. UL Listed

**Dimensions:** 11.5"H x 1"W x 0.75"D (292 x 25.4 x 19mm)

**UL LISTED** 10B Listed For  
3 Hrs Fire Rated Doors

**PT-5**



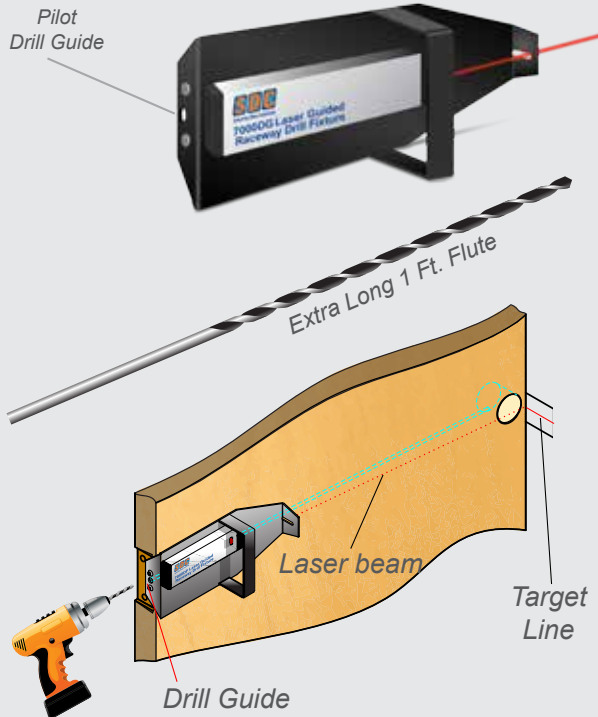
**Power Transfer Loops**

18" (447mm) stainless steel armored flex conduit with small plastic end caps or termination box. Recommended for use with hollow metal and aluminum frames.

- PT-2U** With end caps
- PT-3V** With aluminum wire termination box



**Laser Guided Drill Fixture Kit**



The 7000-DGK Kit includes:

- **Laser Guided Door Core Raceway Fixture**
- **1/4" x 6" Pilot Drill Bit**
- **3/8" x 50" Door Raceway Drill Bit**  
Custom designed evacuator drill bit, tool sharpened with 1' extra long flutes
- **Fiberglass Wire Running Kit**  
Flexible acrylic end connection  
Brass hook end for pulling  
Brass eye end for pushing
- **Door Wedge**
- **Kit Carry Case**

**Features**

The SDC laser guided door core drill assembly provides an economical method of wire preparation for particle filled or solid wood doors to accommodate the installation of electrified locksets, exit devices and hinges

**Model**

- 7000-DGK** Door Core Drill Guide Kit
- 7000-DB3/8** 3/8" x 4 Ft. Drill Bit Replacement